

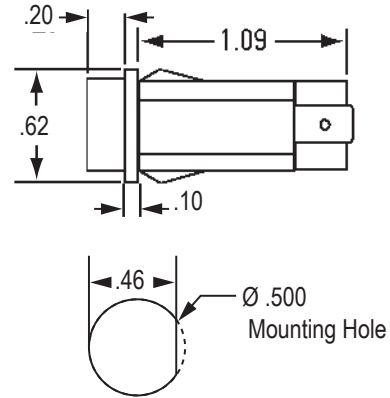
Series 30

Features

- Snap fits into .500" panel hole
- LED, incandescent, and neon illumination
- Many lens styles available

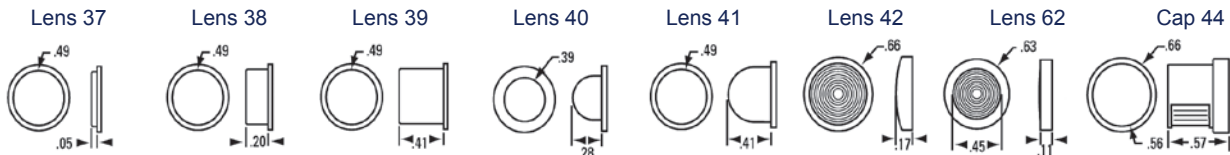
Specifications

- Body Material: Nylon
- Lens Material: Polycarbonate
- Bezel Material: Stainless steel or plated brass
- Panel Thickness: .030" to .093"
- Certifications: Contact Us



Series	Lamp	Termination	Base	Bezel	Lens								
XX	XX	X	X	X	XXX								
30	Voltage	Type	Code	Style	Code	Color	Code	Finish	Code	Style	Code	Color	Plain
	2	LED	10	.187 Tabs	3	White	1	None	0	Cylinder Translucent	371	Red	1
	6	LED	11	.250 Tabs	4	Black	2	Stainless	1	Cylinder Diamond	373	Amber	2
	14	LED	12					Bright	2	Cylinder Translucent	381	Clear	3 ¹
	28	LED	13					Black	3	Cylinder Diamond	383	Green	4
	6	INCAND	32							Cylinder Rings	386	Blue	5
	14	INCAND	35							Cylinder Diamond	393	White	6
	28	INCAND	39							Small Dome Lines	405		
	125	NEON	50							Large Dome Translucent	411	Color	Marked
	250	NEON	52							Large Dome Lines	415	Red	A
	2	ViviBright LED	60							Semi Dome Rings	426 ²	Amber	B
	6	ViviBright LED	61							Flush Lens w/Tapered Bezel	626 ³	Clear	C ¹
	14	ViviBright LED	62							Cap, Black (F1C) Transparent	444 ²	Green	D
	28	ViviBright LED	63									Blue	E
		Custom	XX									White	F

White is Translucent
Clear is Transparent



Additional Options Available:
Contact sales@solico.com

1. Clear lens has white LED
2. Bezel not available
3. Bright Bezel only, use code 2