

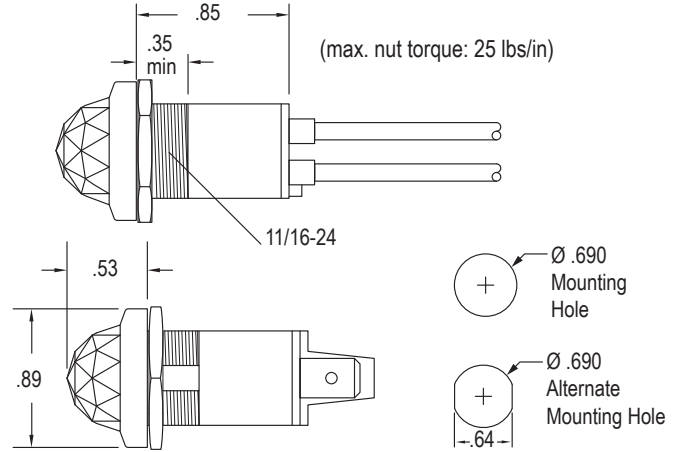
Series 66

Features

- Fits into .690" panel hole
- Threaded mount
- LED cluster lighting
- Daylight Visible
- Supplied w/ hex nut, lock washer and gasket
- Splashproof

Specifications

- Body Material: Nylon
- Lens Material: Polycarbonate
- Wire Gauge: 20 ga.
- Wire Strip: 1/2"
- Panel Thickness: .050" to .187"
- Certifications: Contact Us

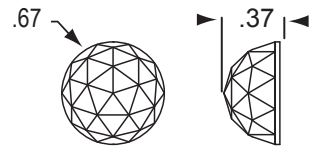


Series	Lamp			Termination		Base		Bezel		Lens			
XX	XX	-	X	-	X	X	-	XXX	X	0			
	Voltage	Type	Code	Style	Code	Color	Code	Finish	Code	Style	Code	Color	Code
66	14	LED	12	6" Wire	1	White	1	Matte Black	5	Faceted Dome Translucent ⁴	661	Red	1
	28	LED	13	.187 Tabs	3			Matte White	6	Faceted Dome Transparent	662	Amber	2
	125	LED	15	.250 Tabs	4					Faceted Dome Transparent ¹ w/ Diffuser	66A	Clear	3 ¹
												Green	4
												Blue	5
												White	6 ³

White is Translucent

LED Light Output (mcd)²

Red	10k typ.
Green	15k typ.
Blue	7k typ.
White	12k typ.
Yellow	8k typ.



Lens 66

Additional Options Available:

Contact sales@solico.com

1. Clear lens has white LED
2. Daylight visible LED's may require ESD handling
3. Translucent only
4. White only